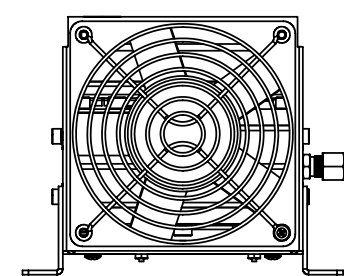
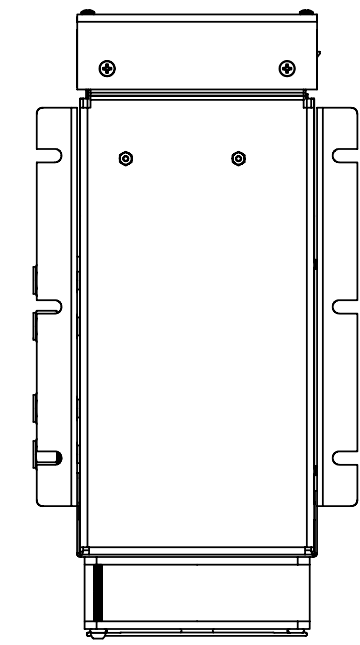
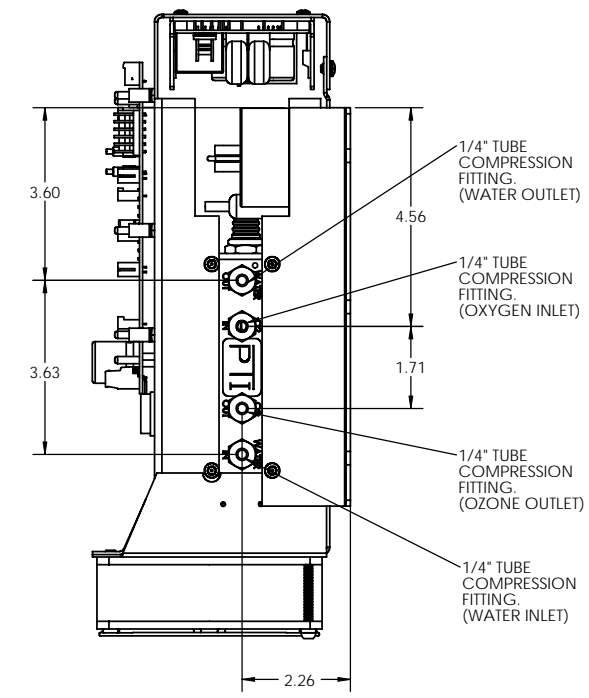
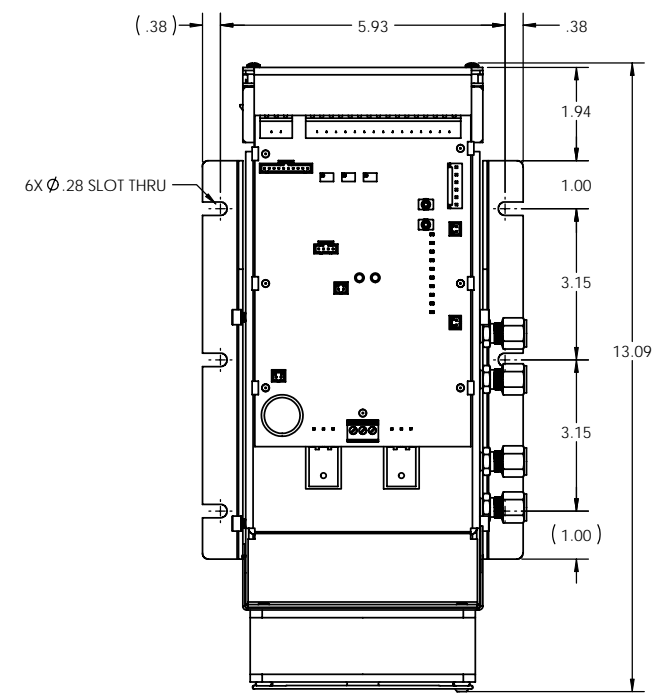
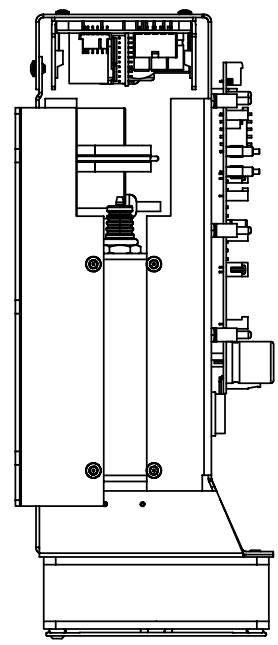
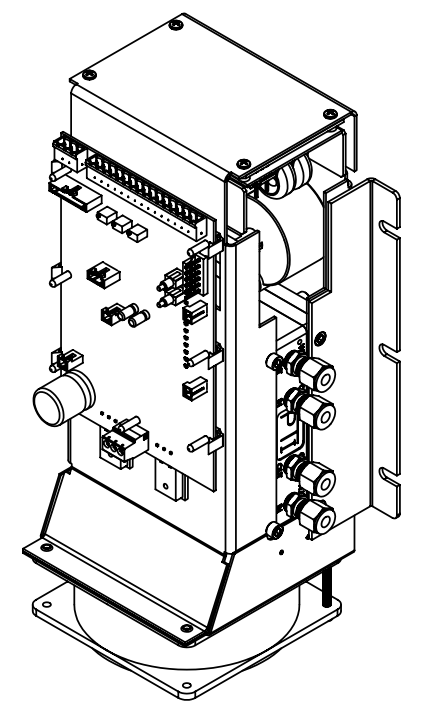
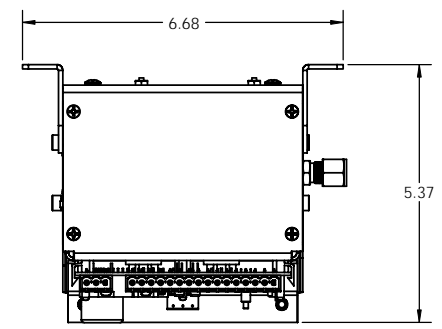
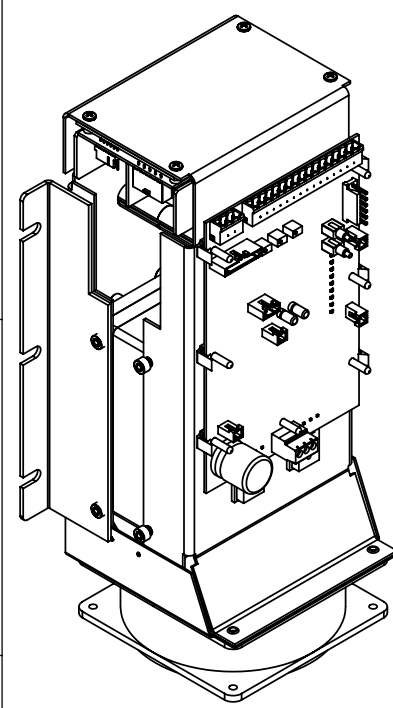




8 7 6 5 4 3 2 1

F  
D  
E  
D  
C  
B  
A



TOLERANCE & MACHINE NOTES UNLESS OTHERWISE SPECIFIED		NAME	DATE
DIMENSIONS ARE IN INCHES @ 68-72 °		TM	9/14/11
TOLERANCES:		CHECKED	
TWO PLACE DECIMAL	±0.010	ENG APPR	
THREE PLACE DECIMAL	±0.005	MFG APPR	
FOUR PLACE DECIMAL	±0.0005	COMMENTS	
MAXIMUM MACHINED SURFACE	0.0005		
ANGULAR: ±0.10°			
CHAMFER ALL EDGES: 0.03 x 45°			
FILET RADIUS: R0.030			
DO NOT SCALE DRAWING			

**PTI** Plasma Technics Inc.

TITLE: Miniature Water Cooled Plasma Block Assembly

SIZE DWG. NO. REV  
**D** 79310 0

SCALE: 1:2 WEIGHT: SHEET 2 OF 2

REV.	CHANGES	DATE	ENG.
	SEE SHEET 1	9/14/2011	TM

8 7 6 5 4 3 2 1